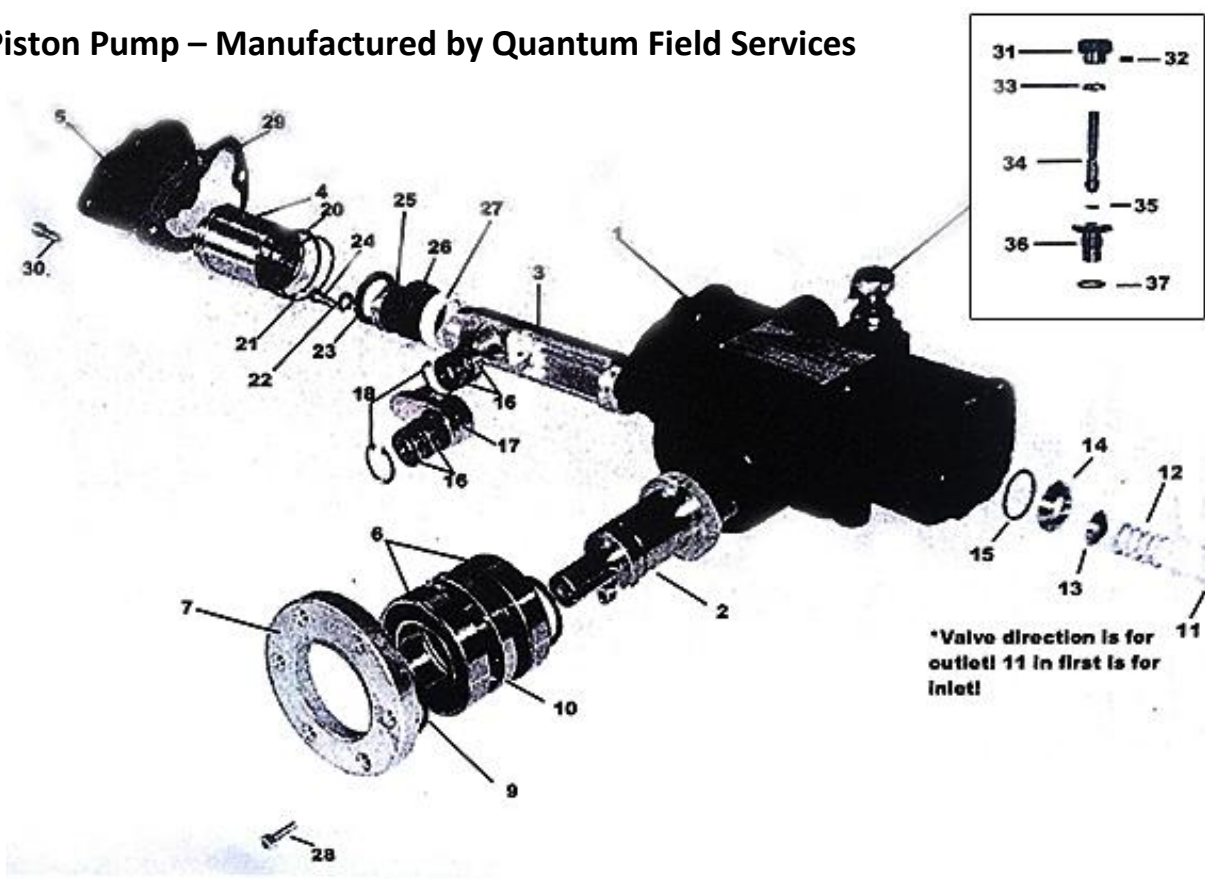


Z2 Piston Pump – Manufactured by Quantum Field Services



Picture No	Description	Part No
1	Pump Casing	Z2BD-1
2	Main shaft	Z2CR-1
3	Piston Shaft	Z2PT-1
4	Sleeve	Z2SL_1
5	Pump Head	Z2CP-2
6	Main Shaft Bearings	BRG6209-2RS
7	Bearing Holder	Z2CR-2
8		
9	Circlip	Z2CR-3
10	Bearing Spacer	BRGSPC001
11	Valve Cage	Z2VL-1
12	Valve Spring	Z2VL-3
13	Valve Plug	Z2VL-5
14	Valve Seat	Z2VL-2
15	O-ring	Z2VL-4
16	Bearing	BRG6002-2RS
17	Connecting Rod	Z2CN-1
18	Circlip	Z2CN-2
19		

Picture No	Description	Part No
20	O-ring	Z2SL-4
21	O-ring	Z2SL-2
22	Copper Washer	Z2SL-3
23	Polyutherane Activator	Z2PT-4
24	Piston Capscrew	M8X25CSS
25	Bucket Expander	Z2PT-6
26	Leather Washer	Z2PT-5
27	Piston Guide	Z2PT-2
28	Capscrew	M6X20CAP
29	Gasket	Z2CP-3
30	Capscrew	M8X25CAP
31	Brass Knop	Z2CV-4
32	Grubscrew	Z2CV-7
33	Lock Nut	Z2CV-3
34	Control Valve Pin	Z2CV1
35	O-ring	Z2CV-5
36	Brass Body	Z2CV-2
37	O-ring	Z2CV-6

Z2 Kits Available

Z-20K1		
Picture No	Description	Part No
15	O-ring	Z2VL-4
23	Polyutherane Activator	Z2PT-4
26	Leather Washer	Z2PT-5
29	Gasket	Z2CP-3

Z20K2		
Picture No	Description	Part No
11	Valve Cage	Z2VL-1
12	Valve Spring	Z2VL-3
15	O-ring	Z2VL-4
23	Polyutherane Activator	Z2PT-4
26	Leather Washer	Z2PT-5
29	Gasket	Z2CP-3
35	O-ring	Z2CV-5

